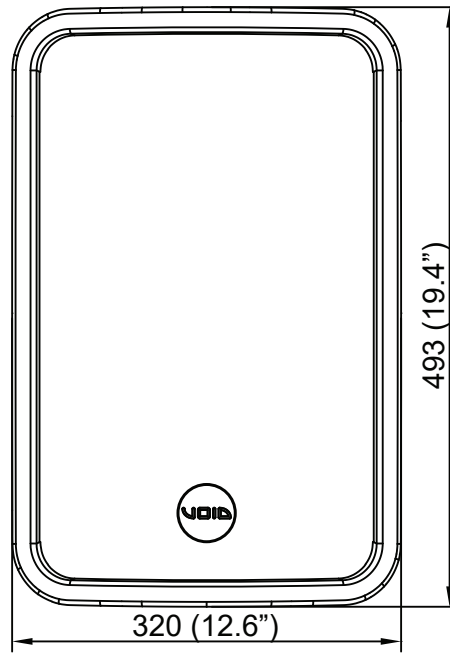
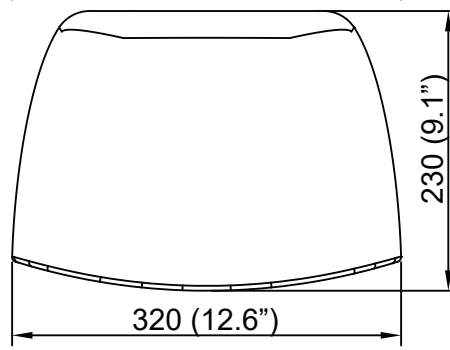


230 (9.1")



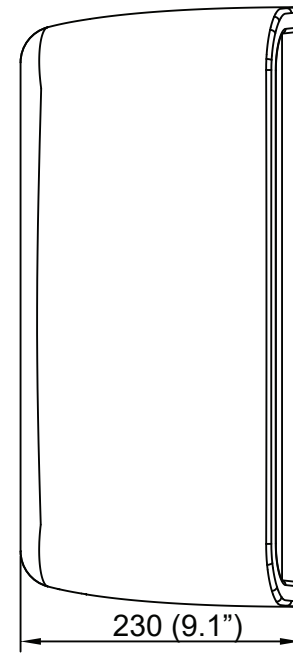
493 (19.4")

320 (12.6")

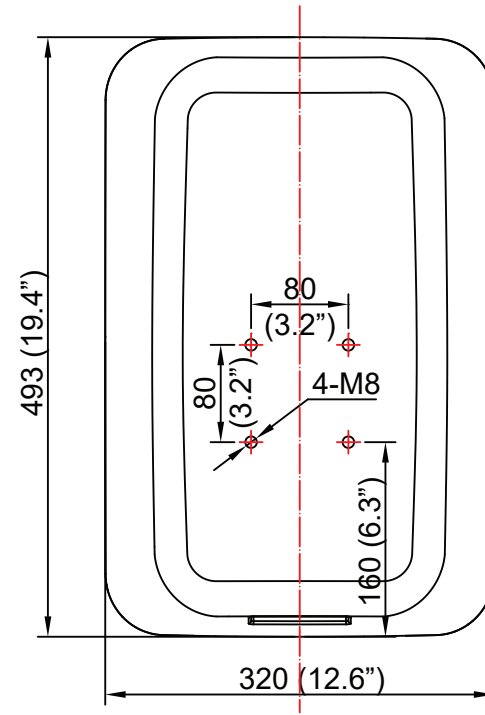


230 (9.1")

320 (12.6")

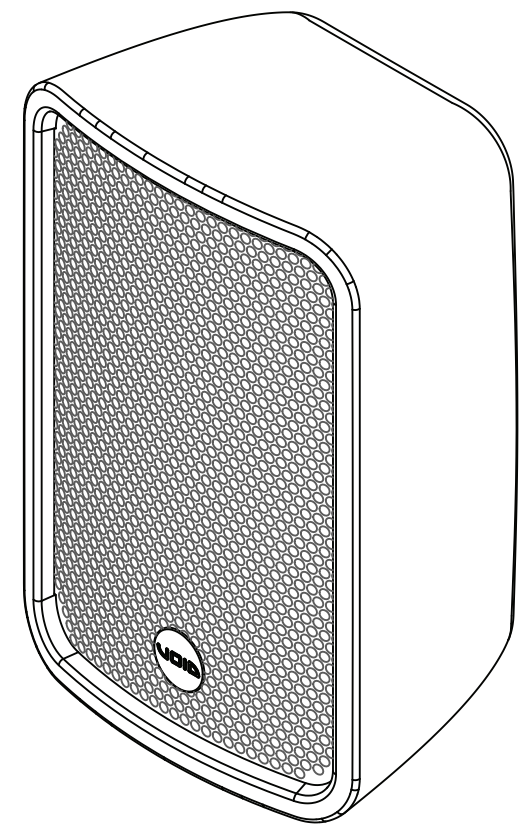


230 (9.1")



493 (19.4")

320 (12.6")



| | | | | |
|---|--------------|----------------------------|----|---|
| NOT TO SCALE | DO NOT SCALE | SHEET 1 OF 1 | A4 | DRAWING No. |
| DRAWN - WU CHECKED - RM APPROVED - RM | | | | REV. 1.0 DATE: 15-03-2018 CHANGE No. |
| MATERIAL: COLOUR: SURFACE FINISH: | | THIRD ANGLE PROJECTION | | © VOID ACOUSTIC RESEARCH LTD. THIS DRAWING IS COPYRIGHT AND THE PROPERTY OF VOID ACOUSTIC RESEARCH LTD. IT MUST NOT BE COPIED (IN WHOLE OR IN PART), USED FOR MANUFACTURE OR OTHERWISE DISCLOSED WITHOUT PRIOR WRITTEN CONSENT OF THE COMPANY. |
| VOID ACOUSTIC RESEARCH LTD. | | | | TITLE <h1>Cyclone 10</h1> |